



**Outperforming Expectations:**  
Brady Thermal Transfer Printers



**IP**<sup>™</sup>  
Series  
PRINTER

# Brady IP<sup>™</sup> Printer

Intelligence by Design.

**Quick  
Start  
Manual**

Edition 06/07

# Quick Start Manual

Copyright by Brady Worldwide, Inc.

All specifications about delivery, design, performance and weight are given to the best of our current knowledge and are subject to change without prior notice.

All rights reserved, including those of the translations.

No part of this manual nor any translation may be reproduced or transmitted in any form or by any means, for any purpose other than the purchaser's personal use, without the express written permission of Brady.

## United States

**Note:** This equipment has been tested and found to comply with the limits for a Class A digital device, pursuant to part 15 of the FCC Rules. These limits are designed to provide reasonable protection against harmful interference when the equipment is operated in a commercial environment. This equipment generates, uses, and can radiate radio frequency energy and, if not installed and used in accordance with the instruction manual, may cause harmful interference to radio communications. Operation of this equipment in a residential area is likely to cause harmful interference in which case the user will be required to correct the interference at his own expense.

Changes or modifications not expressly approved by the party responsible for compliance could void the user's authority to operate the equipment.

## Industry Canada

This Class A digital apparatus meets all requirements of the Canadian Interference-Causing Equipment Regulations.

Cet appareil numérique de la classe A respecte toutes les exigences du Règlement sur le Matériel Brouilleur du Canada.

## Taiwan

警告使用者：

這是甲類的資訊產品，在居住的環境中使用時，可能會造成射頻干擾，在這種情況下，使用者會被要求採取某些適當的對策。

## Europe

**Warning** — This is a Class A product. In a domestic environment, this product may cause radio interference in which case the user may be required to take adequate measures.

# Quick Start Manual

Welcome to Brady's Intelligent Printing System. The Brady IP Printer is a main component to the fully integrated printing system. Working together, the printer, media and software provide hassle free functionality and are optimized to print Brady's high quality specialized materials.



To gain the full benefit of the system, material and ribbons from Brady are programmed with the ability to communicate with the printer and software. Material identified with this logo will work in Brady mode on the printer.



Material marked with this logo will communicate with the printer and software by the user selection in the software.

# Quick Start Manual

## About the Printer

The Brady IP™ printer is designed to work with BradySoft, IdentiLab or LabelMark software. When used with one of those software packages, the printer will automatically recognize all Brady non-metallized materials up to 4 inches (101.6 mm) wide. For operation of the printer with other manufacturer's labels, metallized labels and other software packages, refer to the "Brady IP™ Printer Operator/Configuration Manual" located on the Product CD.

## Contents

Quick Start Road Map .....	2
Safety .....	2
Unpacking the Brady IP printer.....	3
What's in the Box .....	4
Stress Free System Setup.....	4
Installation .....	5
Printer Connection .....	5
Interface Connections .....	6
USB Connection .....	7
RS-232 Connection .....	7
Ethernet Connection.....	7
USB Printer Driver .....	8
Printer Wizard.....	8
Multiple Printers.....	9
RS-232 or Ethernet Printer Driver.....	12
Software Installation.....	12
On-line Status Monitor .....	12
Printer Overview .....	13
Loading the Ribbon.....	13
Loading the Material .....	16
Reading the LCD Display.....	18
Calibrating the Printer .....	19
Printing.....	19
Other Modes.....	19
Registering your Printer.....	19



## Quick Start Road Map

1. Review all safety messages .....	<b>Page 2</b>
2. Unpack the printer and verify that all parts are included .....	<b>Page 4</b>
3. Connect the printer .....	<b>Page 5</b>
4. Install the printer driver .....	<b>Page 7</b>
5. Install the software .....	<b>Page 11</b>
6. Load the ribbon .....	<b>Page 13</b>
7. Load the material .....	<b>Page 15</b>
8. Calibrate the printer .....	<b>Page 19</b>

## Safety

- The Brady IP printer is configured for voltages of 100 to 240 V ~ (50 to 60 Hz). Connect only to a grounded power outlet.
- The Brady IP printer may only be used in a dry environment, do not expose it to moisture (water, mists, etc.).
- If the Brady IP printer is operated with the cover open, ensure that people's clothing, hair, jewelry etc. do not come into contact with the exposed rotating parts.

### **WARNING**



#### **Entanglement Hazard**

- **MOVING PARTS** can entangle.
- **AVOID** wearing jewelry or loose fitting clothing.
- **ALWAYS** tie back long hair.

### **ADVERTENCIA**



#### **Peligro de enredos**

- Las **PIEZAS EN MOVIMIENTO** pueden enredar.
- **EVITE** usar joyas o ropa suelta.
- **Amárrese SIEMPRE** el cabello largo.

- During the print process, the print assembly can become hot. Do not touch the print assembly during operation, and allow the assembly to cool down before changing material and before disassembly.
- Perform only those actions described in this quick operator's manual. Work going beyond this may only be performed by trained personnel or service technicians.

## DANGER



### **Electric Shock Hazard**

- **DO NOT** open the Brady IP printer casing.
- **UNPLUG** power cord before servicing.
- **CONTACTING** power supply can cause electrocution.

## PELIGRO



### **Peligro de choque eléctrico**

- **NO ABRA** la caja de la Brady IP impresora de rótulos.
- **DESENCHUFE** el cordón de energía antes de darle servicio.
- El hacer **CONTACO** con la fuente de energía puede causar electrocución.

## Unpacking the Brady IP printer

Carefully unpack and inspect the printer for possible damage incurred during shipping.

- Check all exterior and interior surfaces for damage.
- Check the Brady IP printer for any possible transportation damage.

## What's in the Box

- Brady IP printer
- Power cable
- Printed "Quick Start Manual"
- Product CD including Windows printer driver, electronic "Quick Start Manual," "Brady IP™ Printer Operator/Configuration Manual" and web links.
- Software demo CD
- Printer cleaning Kit
- USB cable

**NOTE:** Please keep the original packaging, including the box, in the event the printer must be returned.

## Stress Free System Setup

Stress Free System Setup is available, free of charge, in North America. Brady's Stress Free System Setup helps you set up your new printer and software.

To schedule a free phone setup assistance appointment, call 1-800-643-8766 and select Menu Option 4.



## Installation

### Printer Connection

#### **NOTICE**

The device and printing materials will be damaged by moisture and wet conditions.

Set up Brady IP printers only in dry locations protected from moisture.

#### **AVISO**

El dispositivo y los materiales de impresión serán dañados por la humedad y las condiciones mojadas.

Coloque las Brady IP impresoras de rótulos únicamente en ubicaciones secas y protegidas de la humedad.

#### **NOTICE**

Ensure that the foam transportation protection has been removed from around the printhead.

#### **AVISO**

Asegúrese de que la espuma de protección de la cabeza durante el transporte haya sido removida del área de la cabeza de impresión.

- Place the printer on a level surface away from moisture.
  - Open the Brady IP printer cover (**Figure 11, 4**).
  - For operation in Peel-off mode, ensure the drivers are set to Peel-off mode and place the printer in such a position that the liner can run down without hindrance. Refer to the “Brady IP™ Printer Operator/Configuration Manual” for additional information about Peel-off mode.
1. Plug the power cable into the power connection socket on the back of the printer (**Figure 1, 4**).
  2. Plug the power cable into a grounded 100 to 240 V ~ (50 to 60 Hz) power source.

# Quick Start Manual

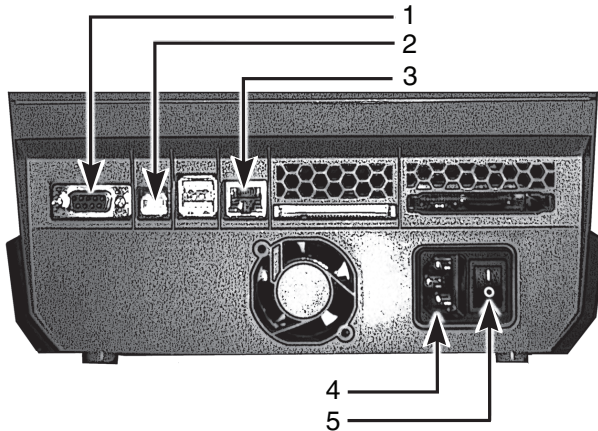
**NOTE:** The Brady IP printer senses the voltage type and automatically adjusts for the power source.

3. Connect the printer to the computer using the supplied USB cable, an RS-232 cable or an Ethernet cable (refer to *Interface Connections on page 6*).
4. If you do not have BradySoft, LabelMark or IdentiLab software installed on your computer, refer to *Software Installation on page 11*.
5. Turn on the power switch on the back of the printer (**Figure 1, 5**). The printer will perform a self test and then go into Ready mode.

**NOTE:** If an error occurs during installation, refer to the “Brady IP™ Printer Operator/Configuration Manual” located on the Product CD.

## Interface Connections

The printer has a RS-232 port (**Figure 1, 1**), a USB port (**Figure 1, 2**) and an Ethernet port (**Figure 1, 3**).



**Figure 1, Interfaces and Connectors**

- |                  |                            |
|------------------|----------------------------|
| 1. RS-232 port   | 4. Power connection socket |
| 2. USB port      | 5. Power switch            |
| 3. Ethernet port |                            |

## USB Connection

1. Ensure that the Brady IP Printer is turned off.
2. Connect the printer to the computer using the supplied USB cable. The USB cable connects to the printer at the USB port (**Figure 1, 2**) and to a USB port on the computer.

## RS-232 Connection

1. Ensure that the Brady IP Printer is turned off.
2. Connect the printer to the computer using an RS-232 cable (not provided). The RS-232 cable connects to the printer at the port (**Figure 1, 1**) and to the computer.
3. Secure the cable with the connection screws.
4. Configure the printer RS-232 interface to match the connected computer. Refer to the “Brady IP™ Printer Operator/Configuration Manual” located on the Product CD.

## Ethernet Connection

1. Ensure that the Brady IP Printer is turned off.
2. Connect the printer to the computer using an Ethernet cable (not provided). The Ethernet cable connects to the printer at the Ethernet port (**Figure 1, 3**) and to an Ethernet port on the computer or Local Area Network (LAN).

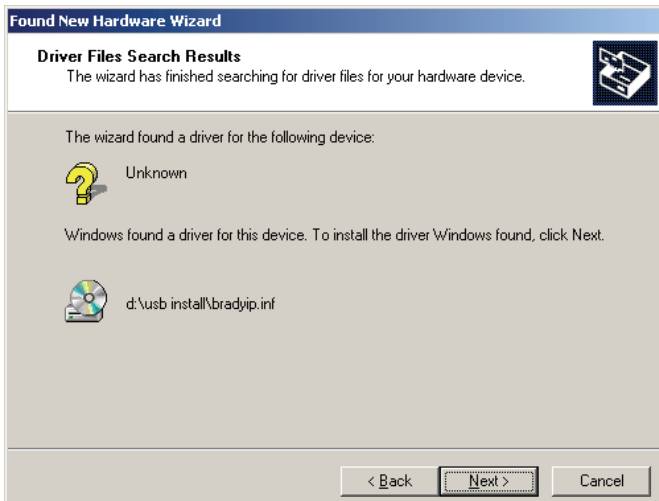
## USB Printer Driver

### NOTICE

**Do not install drivers if using Bradysoft. Bradysoft uses its own drivers. Follow instructions included with Bradysoft to set up your IP printer using USB, serial or Ethernet connections.**

## Printer Wizard

1. Insert the product CD in the CD drive on your computer. Turn the printer power on. Connect the USB cables (refer to *Printer Connection on page 5*). The **Found New Hardware** dialog box appears.



**Figure 2, Found New Hardware Wizard**

2. Click **NEXT**. The driver will load automatically.

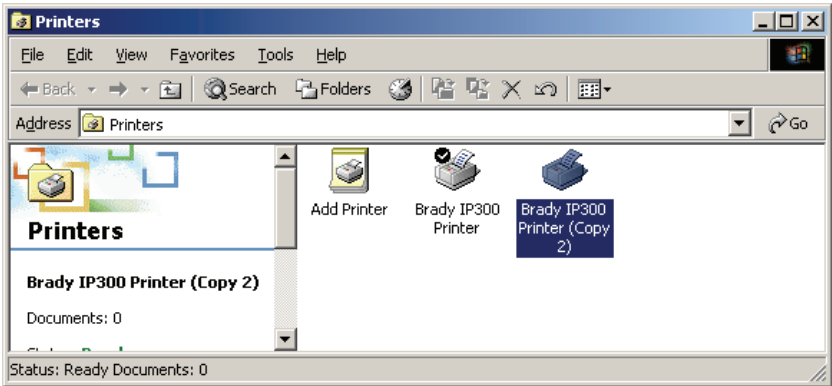
This completes the installation of the printer driver. If you have additional IP printers, using USB, to install, continue to *Multiple Printers on page 8*.

## Multiple Printers

If you want to add an additional IP Printer to your PC, ensure the additional IP Printer is powered on, then connect to your computer

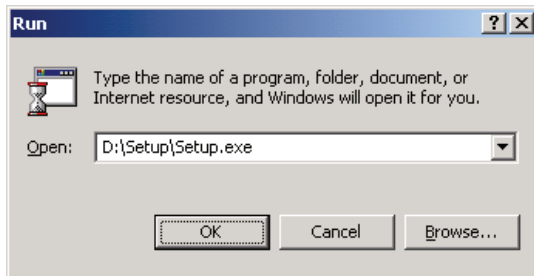
### **NOTICE**

**When connected to your PC, the Found New Hardware Wizard will appear. (At this point the Plug and Play process should have created a new USB virtual port. The Brady IP printer driver will be added in later steps.) Cancel the New Hardware wizard. If using Windows XP, skip ahead to step 1. Otherwise, with Windows 2000, a copy of your additional IP printer is automatically created but must be deleted. Go to Start | Settings | Printers and delete the last copy that was added by right clicking on the icon of the last printer created, and select delete.**



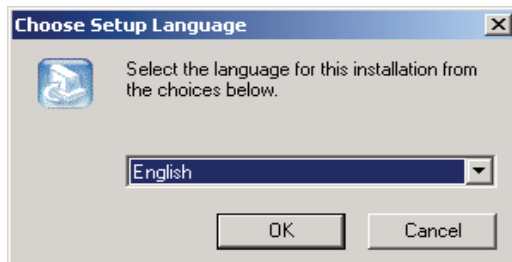
**Figure 3, Printers Window**

1. Ensure the Product CD is in the CD drive. Select **Run** from your computer's start menu. Choose the drive where the Product CD is located. Choose Setup\Setup.exe. Choose OK.



**Figure 4, Run Dialog Box**

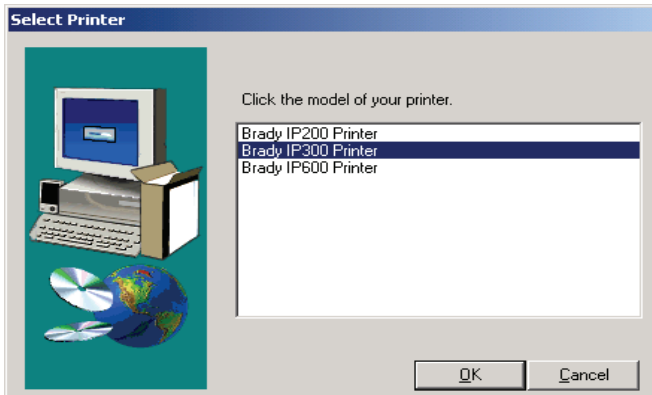
2. Choose your language.



**Figure 5, Choose Setup Language Dialog Box**

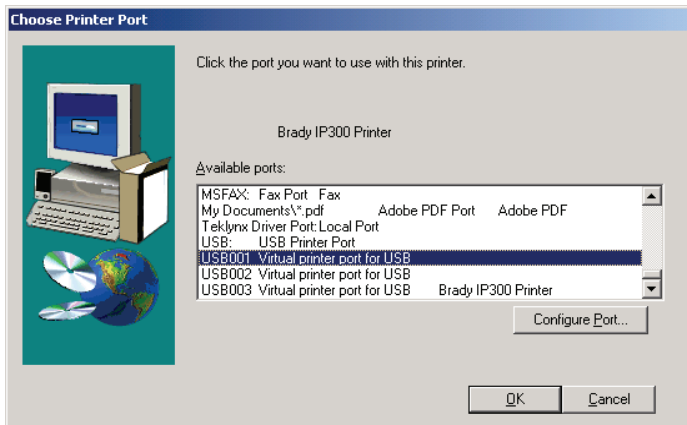


3. Choose the printer.



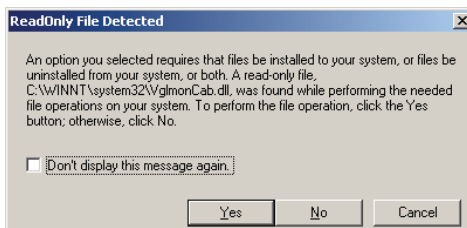
**Figure 6, Choose Printer Dialog Box**

4. Choose the appropriate port.



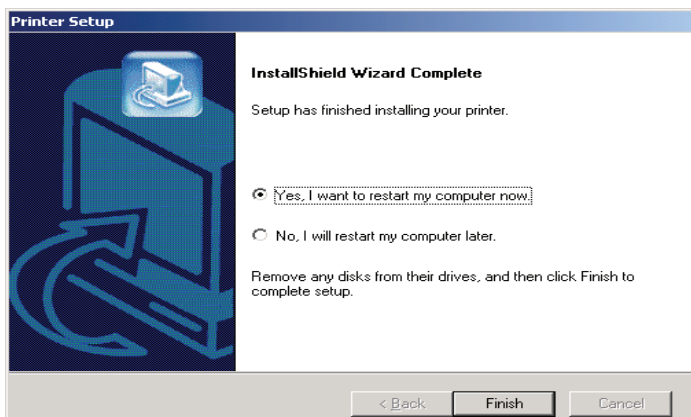
**Figure 7, Choose Printer Port Dialog Box**

5. Click Yes.



**Figure 8, Read Only File Detected Dialog Box**

- Choose to restart your computer.



**Figure 9, Restart Printer Dialog Box**

- Once your printer has restarted, ensure the added printer is powered on and connected to your computer. Check to make sure the new printer driver is not offline by choosing Start | Settings | Printers and right clicking on the printer icon.

This completes the installation. Repeat this section for any additional IP printers you will be installing on this computer.

## RS-232 or Ethernet Printer Driver

To install an RS-232 or Ethernet printer driver, ensure that power is turned OFF, connect the cable (refer to *RS-232 Connection on page 7* or *Ethernet Connection on page 7* and complete steps 1 through 7 starting on *page 9*.

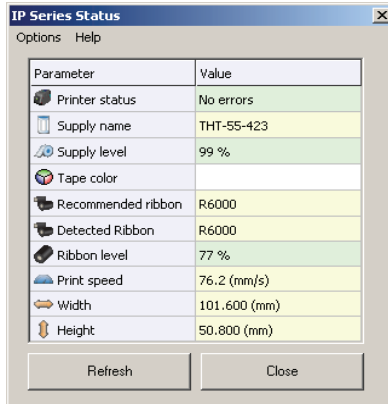
## Software Installation

If you do not have BradySoft, LabelMark or IdentiLab software installed on your computer:

- Insert the software CD in the CD drive on your computer.
- Follow the autoloader directions for software installation.

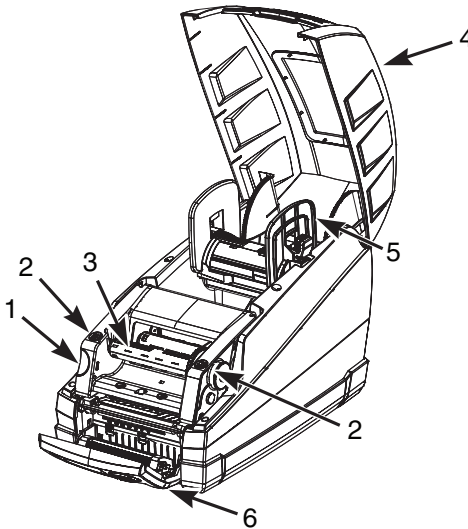
## On-line Status Monitor

The On-line Status Monitor provides printer status information. From the Options menu, you can select **Warn if no Brady Smart Supply, Always on top** or **Unit of Measure** (inches or mm). The Help menu provides links to **Brady Online**.



**Figure 10, On-line Status Monitor**

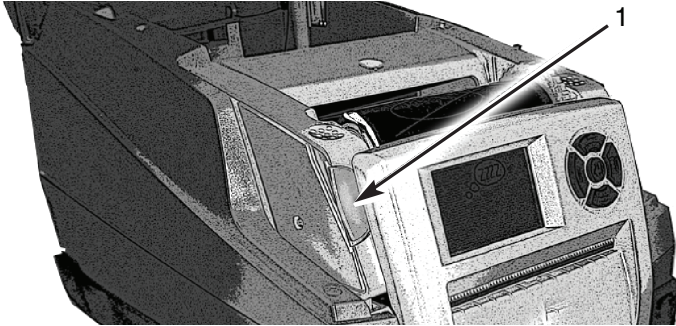
## Printer Overview



**Figure 11, Brady IP Printer**

- 1. Print Module Release Button
- 2. Ribbon Carrier Close Points
- 3. Ribbon Take-up Spindle
- 4. Printer Cover
- 5. Material Holder
- 6. Control Panel

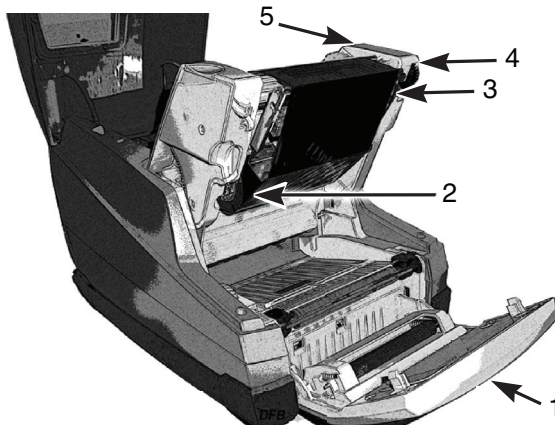
## Loading the Ribbon



**Figure 12, Print Module Release Button**

1. Print module release button

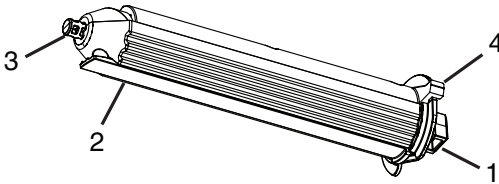
1. Open the cover (**Figure 11, 4**) and press the green print module release button (**Figure 12, 1**) to open the control panel (**Figure 13, 1**).
2. Raise the print module (**Figure 13, 4**).



**Figure 13, Loading the Ribbon**

- |                         |                     |
|-------------------------|---------------------|
| 1. Control panel        | 4. Print module     |
| 2. Ribbon spindle notch | 5. Adjustment wheel |
| 3. Thermal printhead    |                     |

3. Position the square end of the new ribbon spindle in the square notch on the right side of the printer, push the spindle slightly to the right and slide the other end of the spindle into the notch (**Figure 13, 2**) on the left side of the printer.
4. Bring the ribbon end forward and over the thermal printhead (**Figure 13, 3**) to the ribbon take-up spindle (**Figure 14**).



**Figure 14, Ribbon Take-up Spindle**

- |                         |                |
|-------------------------|----------------|
| 1. Square end           | 3. Round end   |
| 2. Ribbon hold-down tab | 4. Thumb lever |

**NOTE:** If you need to remove the ribbon take-up spindle, push the spindle slightly to the right and slide the other end of the spindle out of the notch on the left side of the printer. Remove the ribbon take-up spindle.

To replace the ribbon take-up spindle, position the square end (**Figure 14, 1**) of the spindle in the square notch on the right side of the printer, push the spindle slightly to the right and slide the other end of the spindle into the notch on the left side of the printer.

5. Slide the end of the ribbon under the ribbon hold-down tab (**Figure 14, 2**) so that about 2 inches (50.8 mm) protrudes past the tab.

**NOTE:** Install the ribbon so the ribbon path is *under* the take-up spindle, NOT over the spindle.

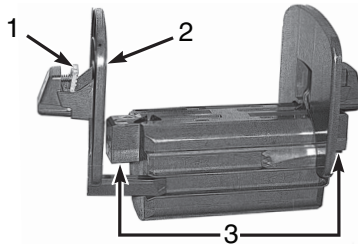
Fold the end of the ribbon back on top of itself over the tab.

6. Turn the adjustment wheel (**Figure 13, 5**) a few complete revolutions, to ensure that the ribbon will not pull out from under the ribbon hold-down tab. The ribbon should now be snug and smoothed out against the printhead.

**NOTE:** The spindle is self-adjusting and will smooth the ribbon out and position it correctly as the adjustment wheel is turned.

**NOTE:** To remove ribbon from the ribbon take-up spindle, press and hold the thumb lever (**Figure 14, 4**) to compress the spindle and slide the spent ribbon off the spindle.

## Loading the Material



**Figure 15, Material Supply Holder**

- |              |                        |
|--------------|------------------------|
| 1. Green tab | 3. Electrical contacts |
| 2. End piece |                        |

1. Remove the material supply holder (**Figure 15**) from the printer by lifting it up and out of the frame.

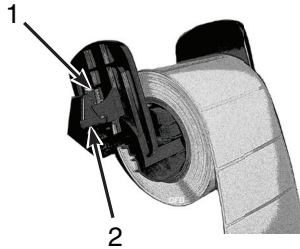
### NOTICE

There are electrical contacts located under the side tabs (**Figure 15, 3**) on both sides of the material supply holder. Be careful not to damage these electrical contacts or the Brady IP printer will be unable to read the material identification tag on the labels.

### AVISO

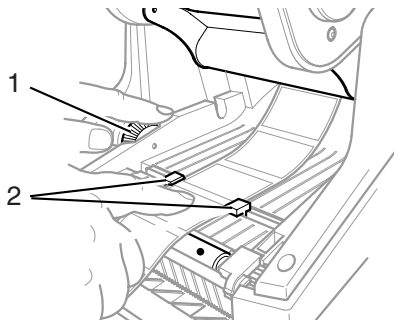
Hay sensores ubicados debajo de las orejas laterales (**Figura 15, 3**) a ambos lados del soporte de alimentación de material. Tenga cuidado para no dañar estos contactos eléctricos, de lo contrario la Brady IP impresora de rótulos quedará incapacitada para leer la etiqueta de identificación del material que se encuentra en los rótulos.

2. Press and hold the green tab (**Figure 15, 1**) on the material supply holder and slide the end piece (**Figure 15, 2**) outward.



**Figure 16, Labeling Material**

1. End piece
  2. Electrical contacts under side tabs
3. Slide the Brady labeling material roll onto the material supply holder and reinstall the end piece (**Figure 16, 1**), which will automatically center the roll on the holder.
  4. Reinsert the material supply holder onto the bracket grooves on the frame. Ensure the electrical contacts under the side tabs (**Figure 16, 2**) are properly seated in the frame so the printer will correctly read the material identification tag. Ensure the material rolls from the top of the roll as shown in **Figure 16**.



**Figure 17, Alignment Guides**

1. Green dial
2. Material guides

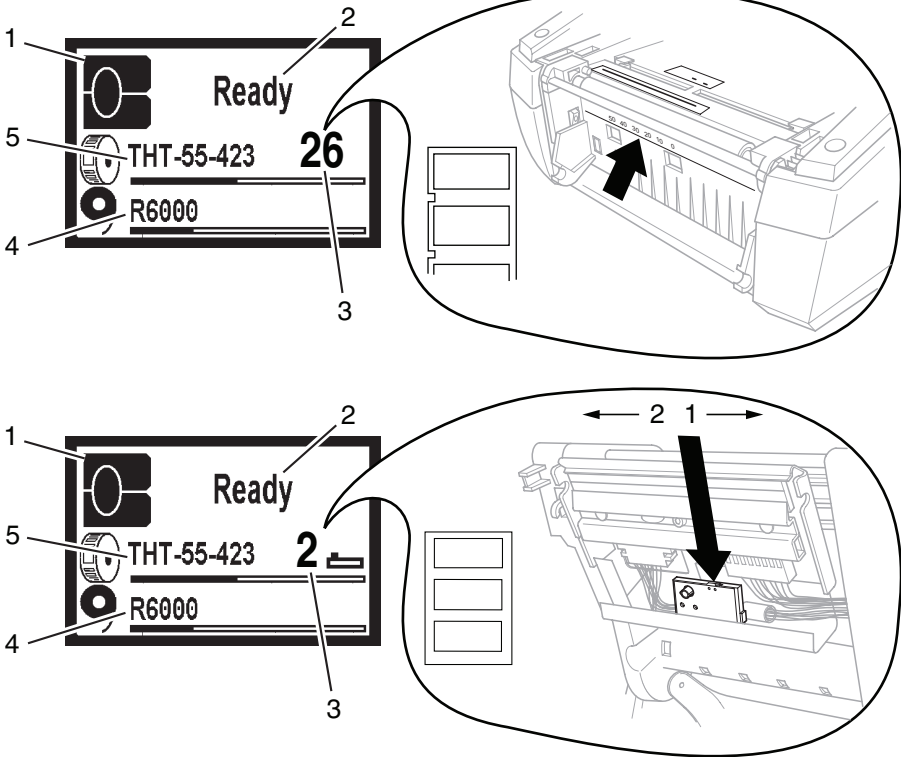
5. Thread the material under the print module, under the guides (**Figure 17, 2**) and forward through the slot in the control panel.
6. Turn the green dial on the left (**Figure 17, 1**) to adjust the guides so they just snug up against the labels. Do not tighten the guides enough to crimp the labels.
7. Apply thumb pressure to the close points (**Figure 11, 2**) on both sides of the print module until it latches securely in place. Once the print module is latched in place, raise the control panel and snap into the closed position.
8. Close the printer cover (**Figure 11, 4**).

## Reading the LCD Display

The use of Brady-brand supplies and LabelMark, BradySoft or IdentiLab labeling software allows access to the full operation of Brady mode. For detailed information about Brady mode, refer to the “Brady IP™ Printer Operator/Configuration Manual” located on the Product CD.

The LCD display should read Ready and display the type of material loaded into the printer as well as the type of ribbon loaded. **Figure 18** is an example of a typical display.





**Figure 18, Typical Ready Display**

- |                                     |  |
|-------------------------------------|--|
| 1. Designates printer in Brady mode | 4. Ribbon number and estimated amount remaining        |
| 2. Online printer status            | 5. Material part number and estimated amount remaining |
| 3. Sensor position                  |  |

If the printer is in a state other than Ready, refer to the “Brady IP™ Printer Operator/Configuration Manual” located on the Product CD to determine what the problem might be.

If the printer is operated with non-Brady software and/or non-Brady labels, the printer will function only as a standard THT printer. Refer to the “Brady IP™ Printer Operator/Configuration Manual” located on the Product CD for additional information.

## Calibrating the Printer

No calibration is necessary when using BradySoft, IdentiLab or LabelMark software and Brady non-metallized materials. For operation of the printer with other manufacturer's labels, metallized labels and other software packages, refer to the "Brady IP™ Printer Operator/Configuration Manual" located on the Product CD.

## Printing

When the ribbon and material are installed and the printer is powered up and connected to the computer, the printer is ready for use. Start the printing program (BradySoft, LabelMark, or IdentiLab) and the program should identify the labeling material installed in the printer. At this time, refer to the manual for your selected software for the creation and printing of the labels.

## Other Modes

The Brady IP printer can be used in modes other than described in this manual. For information regarding use of metallized labels, other non-Brady IP-enabled materials or software packages and Auto Peel-off mode, refer to the "Brady IP™ Printer Operator/Configuration Manual" included on the Product CD.

## Registering your Printer

Register your printer online at: [www.bradyid.com/register](http://www.bradyid.com/register).

# Quick Start Manual

For Repair or Technical Assistance, find your regional Brady Tech Support office by going to:

- In the Americas: [www.bradyid.com](http://www.bradyid.com)
- In Europe: [www.bradyeurope.com](http://www.bradyeurope.com)
- In Asia: [www.bradycorp.com](http://www.bradycorp.com)



Y555077